

TG0412AFCS-3

4mm F1.2
for 1/3 type Cameras, Fixed-focal Auto Iris VIDEO Drive
CS-Mount

with Focus and Amplifier

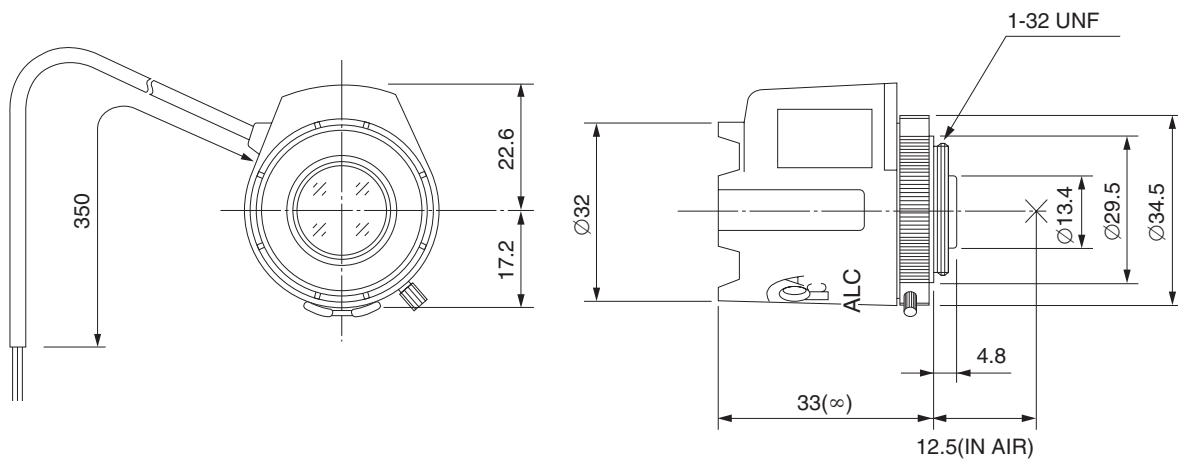
1/3
type

Model No.	TG0412AFCS-3		Effective	Front	Ø15.5mm	
Focal Length	4mm		Lens Aperture	Rear	Ø8.5mm	
Max. Aperture Ratio	1:1.2		Back Focal Length		7.7mm	
Max. Image Format	4.8mm x 3.6mm(Ø6mm)		Flange Back Length		12.5mm	
Operation Range	Iris	F1.2 - F360C	Mount		CS-Mount	
	Focus	0.2m - Inf.	Filter Size		—	
Control	Iris	Video Auto Iris	Dimensions		Ø32mm x 39.8mm x 33mm	
	Focus	Manual	Weight		42g	
Object Dimension at M.O.D.	24.9cm x 18.3cm					
Angle of View	D	1/3 type	76.9°	1/4 type	60.4°	
	H					63.9°
	V					49.1°
Supply Voltage	DC8V - DC16V					
Current	Less than 35mA					
Response Time	Approx. 2 sec.					
Light Weighting Method	Adjustable between Average - Peak (to be Set at Average at Factory)					
Input Signal	Video Signal (V. or V.S.)					
Iris Accuracy	±15% at Video Signal Level					
Sensitivity Adjustment	0.5V(p-p) - 1.0V(p-p) (Video Signal)					
Input Impedance	High Impedance					
Operating Temperature	-20°C - +50°C					

CS

M.O.D : Minimum Object Distance

Dimensions



Wiring Diagram

