

T6Z5710-CS

6X 5.7mm - 34.2mm F1.0
for 1/3 type Cameras, Manual Zoom
CS-Mount

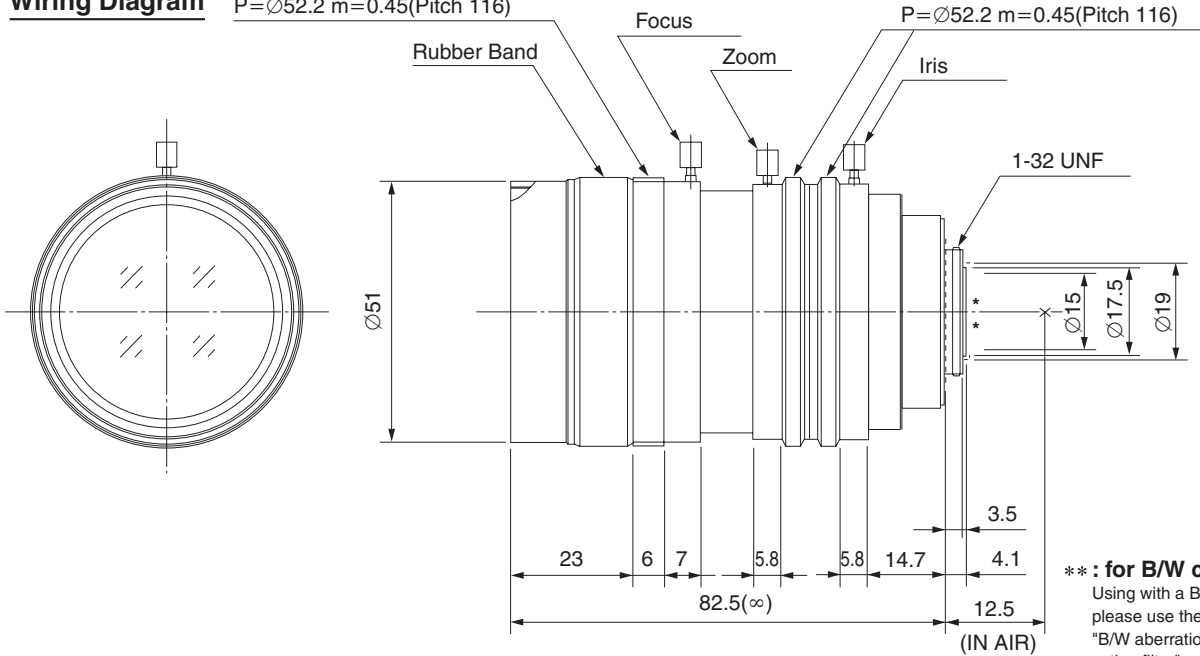
Model No.	T6Z5710-CS		Effective	Front	Ø41.0mm	
Focal Length	5.7mm - 34.2mm		Lens Aperture	Rear	Ø10.2mm	
Max. Aperture Ratio	1:1.0		Back Focal Length	8.5mm		
Max. Image Format	4.8mm x 3.6mm(Ø6mm)		Flange Back Length	12.5mm		
Operation Range	Iris	F1.0 - F16C		Mount	CS-Mount	
	Focus	1.2m - Inf.		Filter Size	M49 P=0.75mm	
	Zoom	5.7mm - 34.2mm		Tripod Screw	—	
Control	Iris	Manual		Dimensions	Ø55.2mm x 82.5mm	
	Focus	Manual		Weight	290g	
	Zoom	Manual				
Object Dimension at M.O.D.	5.7mm	101.6cm x 75.2cm				
	34.2mm	17cm x 13cm				
Angle of View	D	1/3 type	56.5° - 10.0°	1/4 type	43.2° - 7.8°	
	H		45.9° - 8.1°		34.8° - 6.2°	
	V		34.8° - 6.2°		26.2° - 4.8°	
Operating Temperature	-10°C - +50°C					

1/3
type

M.O.D. : Minimum Object Distance

Wiring Diagram

P=Ø52.2 m=0.45(Pitch 116)



CS

**** : for B/W camera**
 Using with a B/W camera, please use the attached "B/W aberration compensation filter" and "FB compensation spacer". The filter(M20 P=0.5mm) should be screwed onto the lens from rear side and the spacer should be placed between lens and camera.

GEAR	
DIAMETER	Ø52.2mm
GEAR NUMBER	116
MODULE	0.45