

H60Z1238A-IR

60X 12.5mm 750mm F3.8
for 1/2 type Cameras, Motorized Zoom
C Mount, W/2X Extender (25mm-1500mm)
IR cut filter (when select normal mode)
IR focus shift adjustment (For 850nm, 880nm, 950nm)

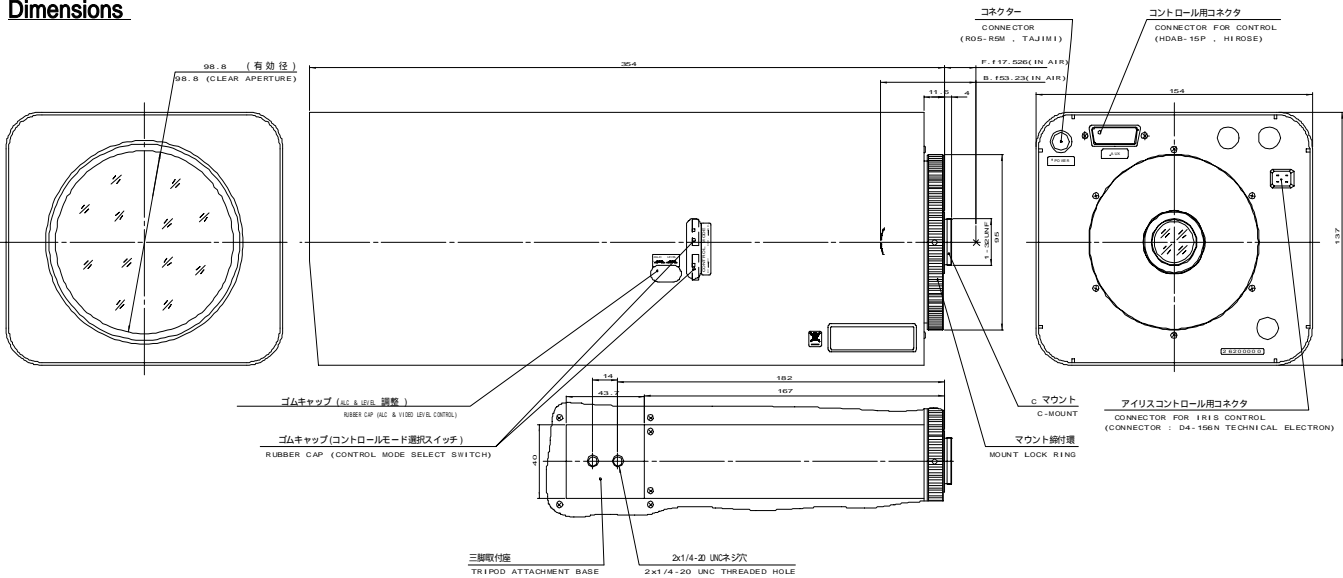
with Video Auto Iris

Model No.	H60Z1238A-IR		Effective	Front	98.8mm			
Focal Length	12.5mm 750mm		Lens Aperture	Rear	13.6 mm			
	25mm-1500mm (with 2x extender.)		Back Focal Length		53.23mm			
Max. Aperture Ratio	1:3.8							
Max. Image Format	6.4mm x 4.8mm(8mm)		Flange Back Length		17.526mm			
Operation Range	Iris	F3.8 F3000	Mount	C Mount				
	Focus	5m Inf.	Filter Size	M107 P= 1mm				
	Zoom	12.5mm 1500mm	Tripod Screw	2 x 1/4-20 UNC				
Control	Iris	Video Auto Iris, Over ride Manual	Dimensions	W154mm x H137mm x D354mm				
	Focus	Motorized	Weight	5200g				
	Zoom	Motorized						
Object Dimension at M.O.D.	12.5mm	246.5cmX184.9cm	25mm	123.3cmX92.4cm				
	750mm	4.1cmX3.1cm	1500mm	2.1cm X1.5cm				
Angle of View (w/o Extender)	D	1/2 type	1/3 type	26.1 °	0.47 °	1/4 type	20.4 °	0.35 °
	H			21.7 °	0.37 °		16.4 °	0.28 °
	V			16.4 °	0.28 °		12.3 °	0.20 °
Supply Voltage	DC12V (9-15)V		Focus	DC6/12V switchable		Zoom	DC6/12V switchable	
Current	50mA or less			90mA or less			90mA or less	
Response Time	0.5 sec.			Approx. 6 sec.			Approx. 5 sec.	
Preset Potentiometer	-			10k 0.5W			10k 0.5W	
Light Weighting method	Adjustable between Average-Peak (to be set at Average at Factory)							
Input Signal	Video Signal (V. or V.S.)							
Iris Accuracy	± 3.5% at A.P.L 0.5V							
Sensitivity Adjustment	0.5V(p-p) - 0.9V(p-p) (Video Signal)							
Input Impedance	High Impedance100k							
Operating Temperature	-10 +50							

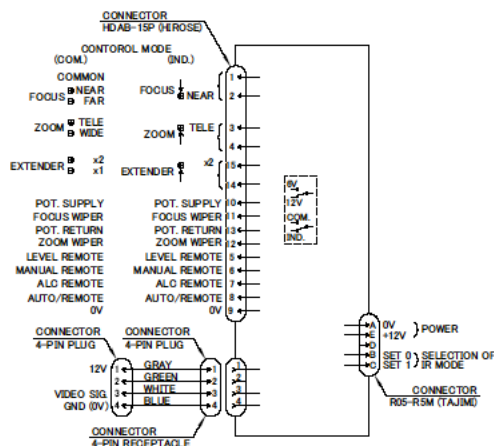
1/2 type

C

Dimensions



Wiring Diagram



Specification is subject to change without any notice.