

# H30Z1015AMSPR-F

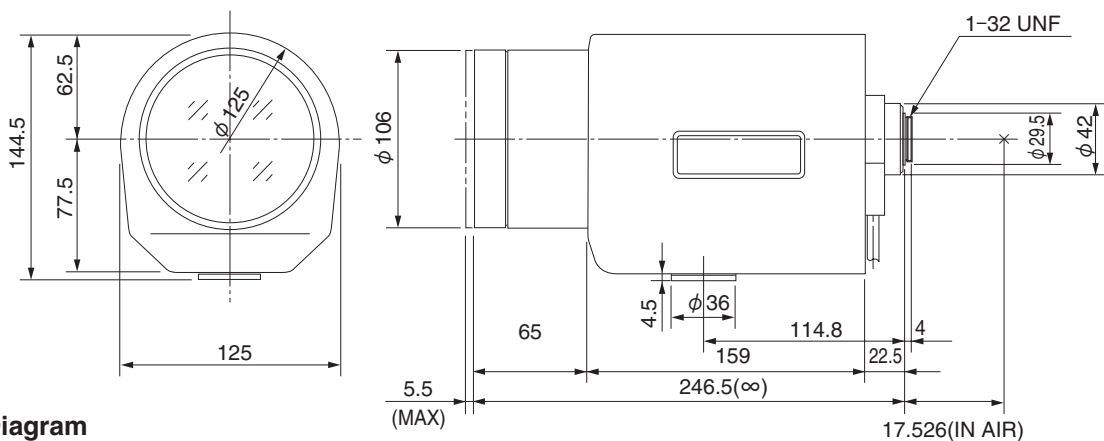
**30X 10mm - 300mm F1.5**  
**for 1/2 type Cameras, Motorized Zoom**  
**C-Mount**

**1/2**  
type

**C**

Model No.	H30Z1015AMSPR-F		Effective	Front	φ 94mm		
Focal Length	10mm - 300mm		Lens Aperture	Rear	φ 14.8mm		
Max. Aperture Ratio	1:1.5		Back Focal Length	15.8mm			
Max. Image Format	6.4mm x 4.8mm (φ 8mm)		Flange Back Length	17.526mm			
Operation Range	Iris	F1.5 - F560C		Mount	C-Mount		
	Focus	2.2m - Inf.		Filter Size	M100 P=1mm		
	Zoom	10mm - 300mm		Tripod Screw	1/4 - 20UNC		
Control	Iris	Video Auto Iris / Over-ride Manual		Dimensions	W125mm x H144.5mm x D246.5mm		
	Focus	Motorized		Weight	3225g		
	Zoom	Motorized					
Angle of View	D	1/2 type	44.0° - 1.55°	1/3 type	26.8° - 0.94°	1/4 type	25.1° - 0.88°
	H		35.5° - 1.25°				20.1° - 0.71°
	V		26.8° - 0.94°				15.1° - 0.53°
		Auto Iris	Focus	Zoom			
Supply Voltage	DC8.5V - DC16V		DC8V	DC8V			
Current	50mA or less		300mA or less	400mA or less			
Response Time	Approx. 2 sec.		Approx. 2 sec.	Approx. 2 sec.			
Preset Potentiometer	—		5KΩ VR	5KΩ VR			
Light Weighting Method	Adjustable between Average - Peak (to be Set at Average at Factory)						
Remote Control	ALC Remote (Option) / Over-ride Manual						
Input Signal	Video Signal (V. or V.S.)						
Iris Accuracy	± 15% at Video Signal Level						
Sensitivity Adjustment	0.5V(p-p) - 1.0V(p-p) (Video Signal)						
Input Impedance	High Impedance						
Operating Temperature	-10°C - +50°C						

**Dimensions**



**Wiring Diagram**

