

H30Z1015AMSP-F

30X 10mm - 300mm F1.5
for 1/2 type Cameras, Motorized Zoom
C-Mount

with Video Auto Iris and Preset

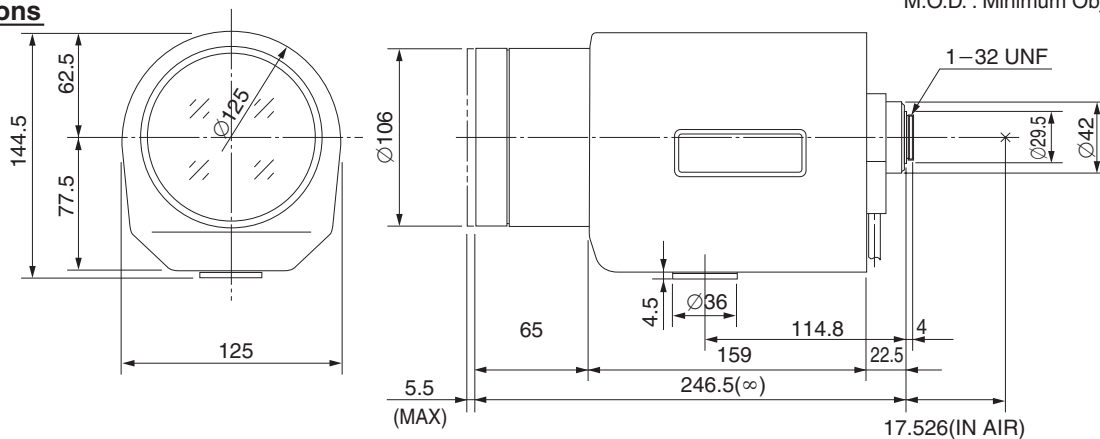
Model No.	H30Z1015AMSP		Effective	Front	∅94mm		
Focal Length	10mm - 300mm		Lens Aperture	Rear	∅14.8mm		
Max. Aperture Ratio	1:1.5		Back Focal Length	15.8mm			
Max. Image Format	6.4mm x 4.8mm(∅8mm)		Flange Back Length	17.526mm			
Operation Range	Iris	F1.5 - F560C	Mount	C-Mount			
	Focus	2.2m - Inf.	Filter Size	M100 P=1mm			
	Zoom	10mm - 300mm	Tripod Screw	1/4 - 20UNC			
Control	Iris	Video Auto Iris	Dimensions	W125mm x H144.5mm x D246.5mm			
	Focus	Motorized	Weight	3220g			
	Zoom	Motorized					
Object Dimension at M.O.D.	10mm	140.8cm x 104.8cm					
	300mm	4.8cm x 3.6cm					
Angle of View	D	1/2 type	44.0° - 1.55°	1/3 type	33.3° - 1.17°	1/4 type	25.1° - 0.88°
	H		35.5° - 1.25°		26.8° - 0.94°		20.1° - 0.71°
	V		26.8° - 0.94°		20.1° - 0.71°		15.1° - 0.53°
		Auto Iris	Focus		Zoom		
Supply Voltage	DC8.5V - DC16V		DC8V	DC8V			
Current	40mA or less		80mA or less	60mA or less			
Response Time	Approx. 2 sec.		Approx. 2 sec.	Approx. 2 sec.			
Preset Potentiometer	—		5KQVR	5KQVR			
Light Weighting Method	Adjustable between Average - Peak (to be Set at Average at Factory)						
Remote Control	A.L.C. Remote (Option)						
Input Signal	Video Signal (V. or V.S.)						
Iris Accuracy	+15% at Video Signal Level						
Sensitivity Adjustment	0.5V(p-p) - 1.0V(p-p) (Video Signal)						
Input Impedance	High Impedance						
Operating Temperature	-10°C - +50°C						

1/2 type

C

Dimensions

M.O.D. : Minimum Object Distance



Wiring Diagram

PRESET POTENTIOMETER

