

H16Z7516AMSR

16X 7.5mm - 120mm F1.6
for 1/2 type Cameras,
C-Mount

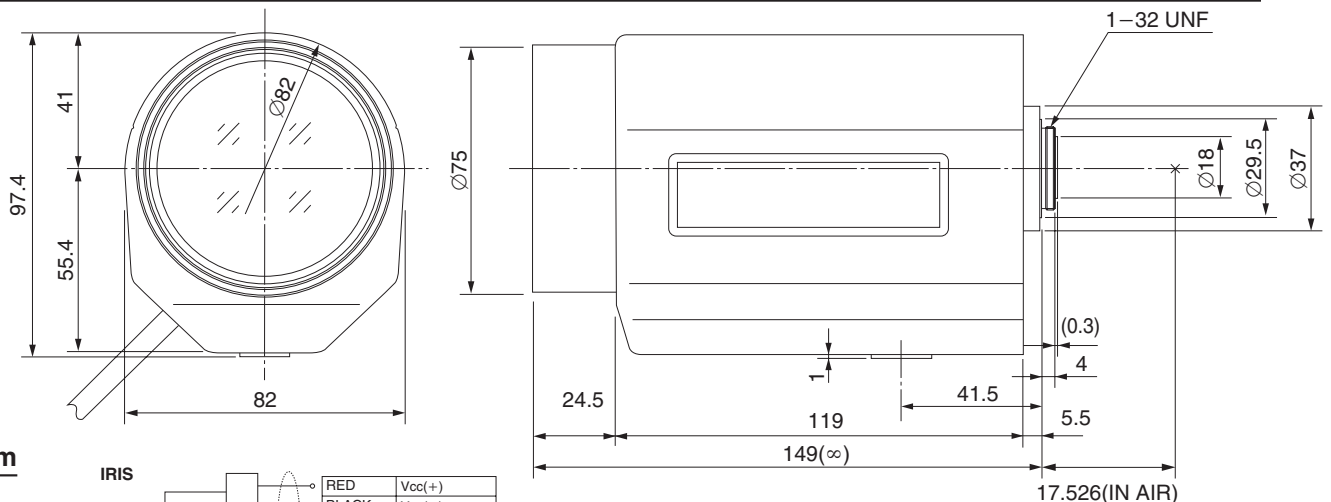
with Auto Iris and Over-ride Manual

Model No.	H16Z7516AMSR		Effective	Front	Ø66.4mm		
Focal Length	7.5mm - 120mm		Lens Aperture	Rear	Ø13.5mm		
Max. Aperture Ratio	1:1.6		Back Focal Length	14mm			
Max. Image Format	6.4mm x 4.8mm(Ø8mm)		Flange Back Length	17.526mm			
Operation Range	Iris	F1.6 - 560C		Mount	C-Mount		
	Focus	1.5m - Inf.		Filter Size	M72 P=0.75mm		
	Zoom	7.5mm - 120mm		Tripod Screw	1/4 - 20UNC		
Control	Iris	Video Auto Iris / Over-ride Manual		Dimensions	W82mm x H97.4mm x D149mm		
	Focus	Motorized		Weight	1040g		
	Zoom	Motorized					
Object Dimension at M.O.D.	7.5mm	129.2cm x 95.5cm					
	120mm	8.4cm x 6.3cm					
Angle of View	D	1/2 type	57.2° - 3.9°	1/3 type	43.8° - 3.0°	1/4 type	33.1° - 2.2°
	H		46.6° - 3.2°				26.5° - 1.8°
	V		35.3° - 2.4°				20.0° - 1.35°
		Iris	Focus		Zoom		
Supply Voltage	DC8.5V - DC16V		DC8V		DC8V		
Current	50mA or less		45mA or less		35mA or less		
Response Time	Approx. 2 sec.		Approx. 3.5 sec.		Approx. 3.5 sec.		
Preset Potentiometer	—		—		—		
Light Weighting Method	Adjustable between Average - Peak (to be Set at Average at Factory)						
Remote Control	Level Remote (Option) / Over-ride Manual						
Input Signal	Video Signal (V. or V.S.)						
Iris Accuracy	±15% at Video Signal Level						
Sensitivity Adjustment	0.5V(p-p) - 1.0V(p-p) (Video Signal)						
Input Impedance	High Impedance						
Operating Temperature	-10°C - +50°C						

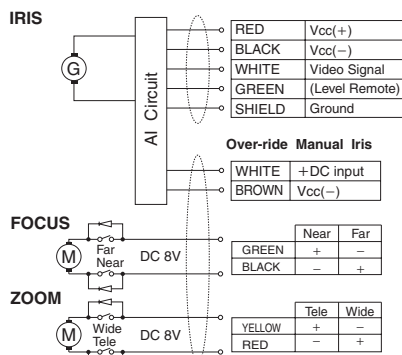
1/2 type

C

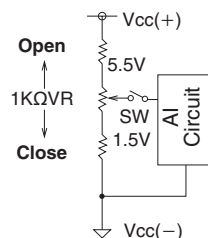
Dimensions



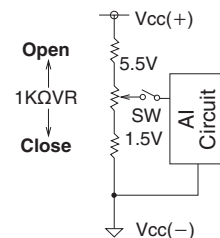
Wiring Diagram



(Level Remote)



Over-ride Manual



Vcc represents Input Voltage. The Remote Voltage should be set between 1.5 - 5.5V, and Level Remote should be OFF.